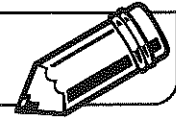


LESSON
6•3

Using a Half-Circle Protractor

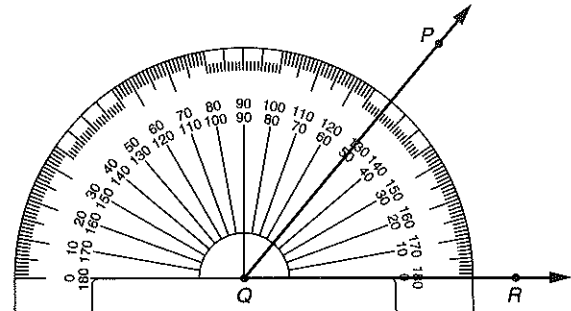


Example: To measure angle PQR with a half-circle protractor:

Step 1 Lay the baseline of the protractor on \overrightarrow{QR} .

Step 2 Slide the protractor so the center of the baseline is over the vertex of the angle, point Q .

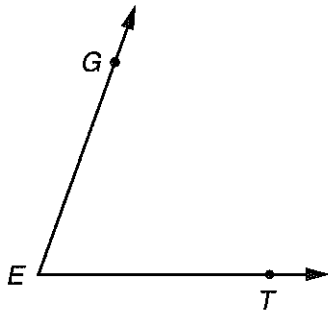
Step 3 Read the degree measure where \overrightarrow{QP} crosses the edge of the protractor. There are two scales on the protractor. Use the scale that makes sense for the size of the angle you are measuring.



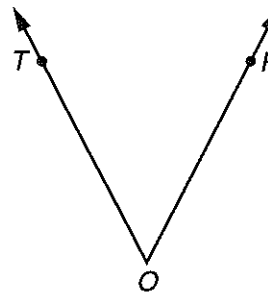
The measure of angle $PQR = 50^\circ$

Use your half-circle protractor to find the measures of the angles below.

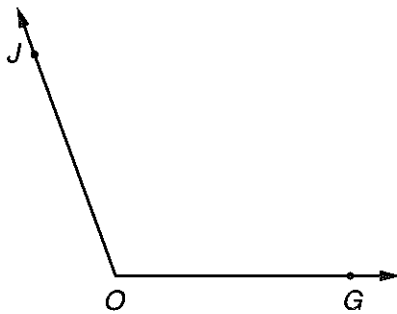
1. The measure of angle GET is _____.



2. The measure of angle TOP is _____.



3. The measure of angle JOG is _____.



4. The measure of obtuse angle LID is _____.

